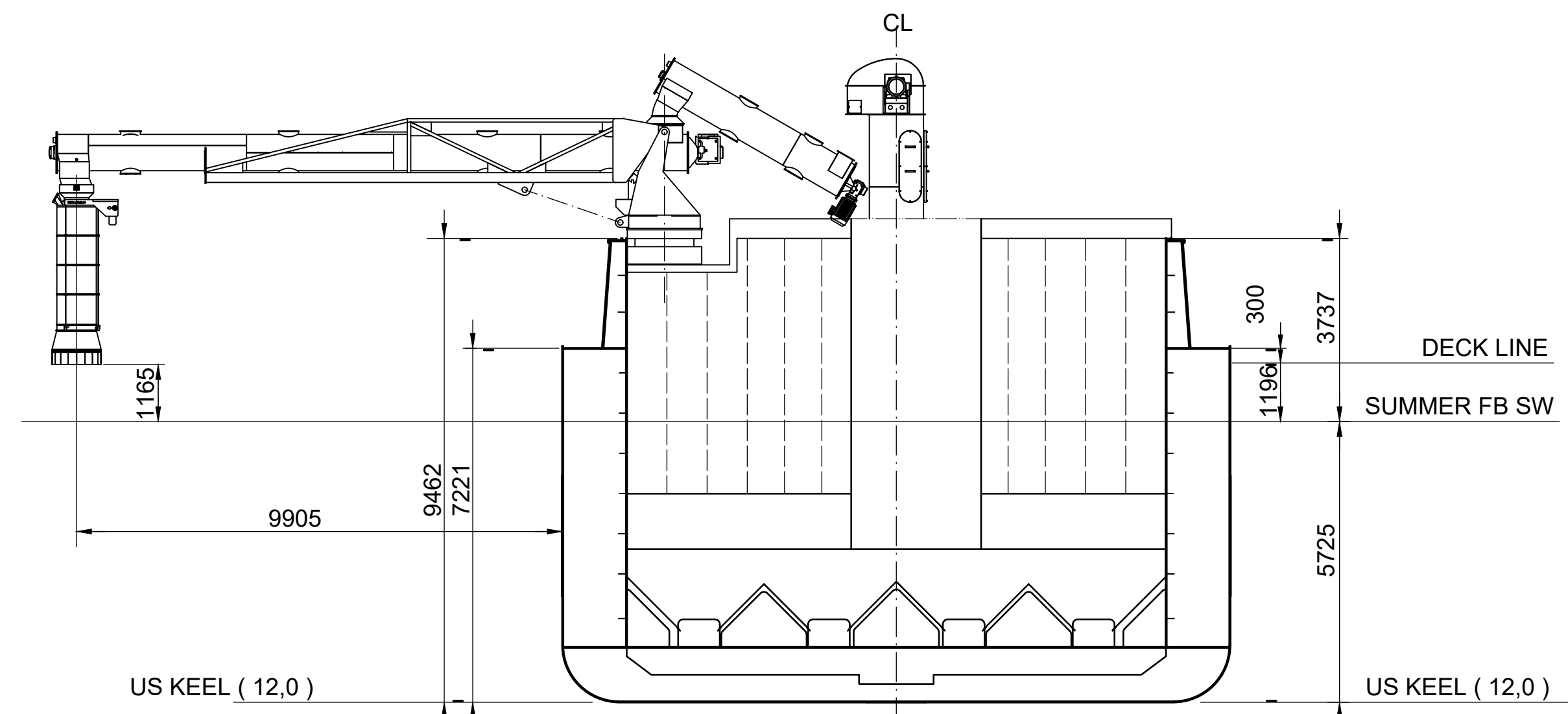
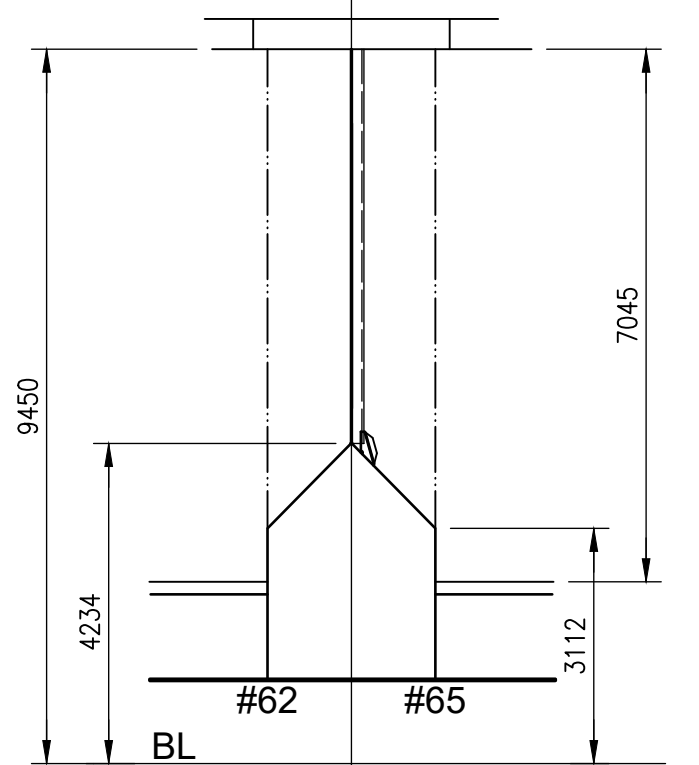
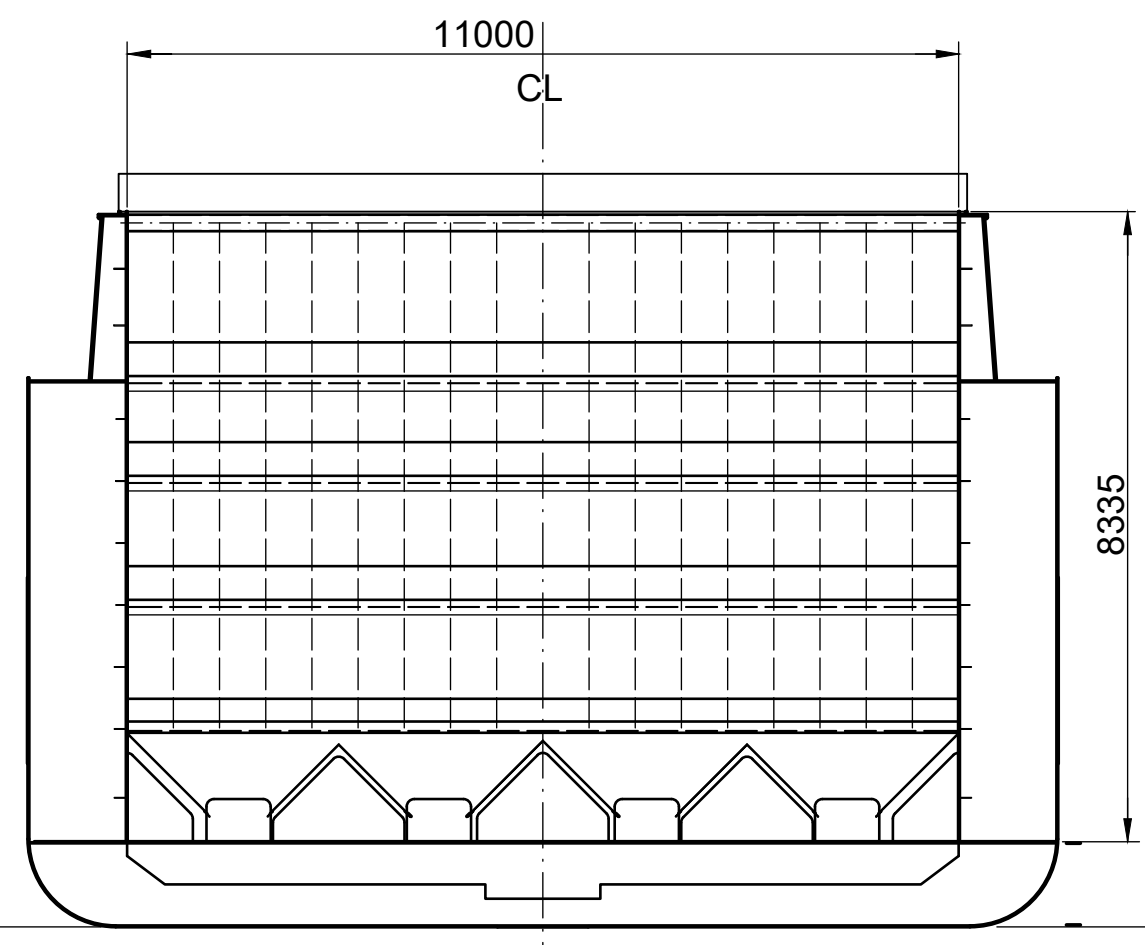


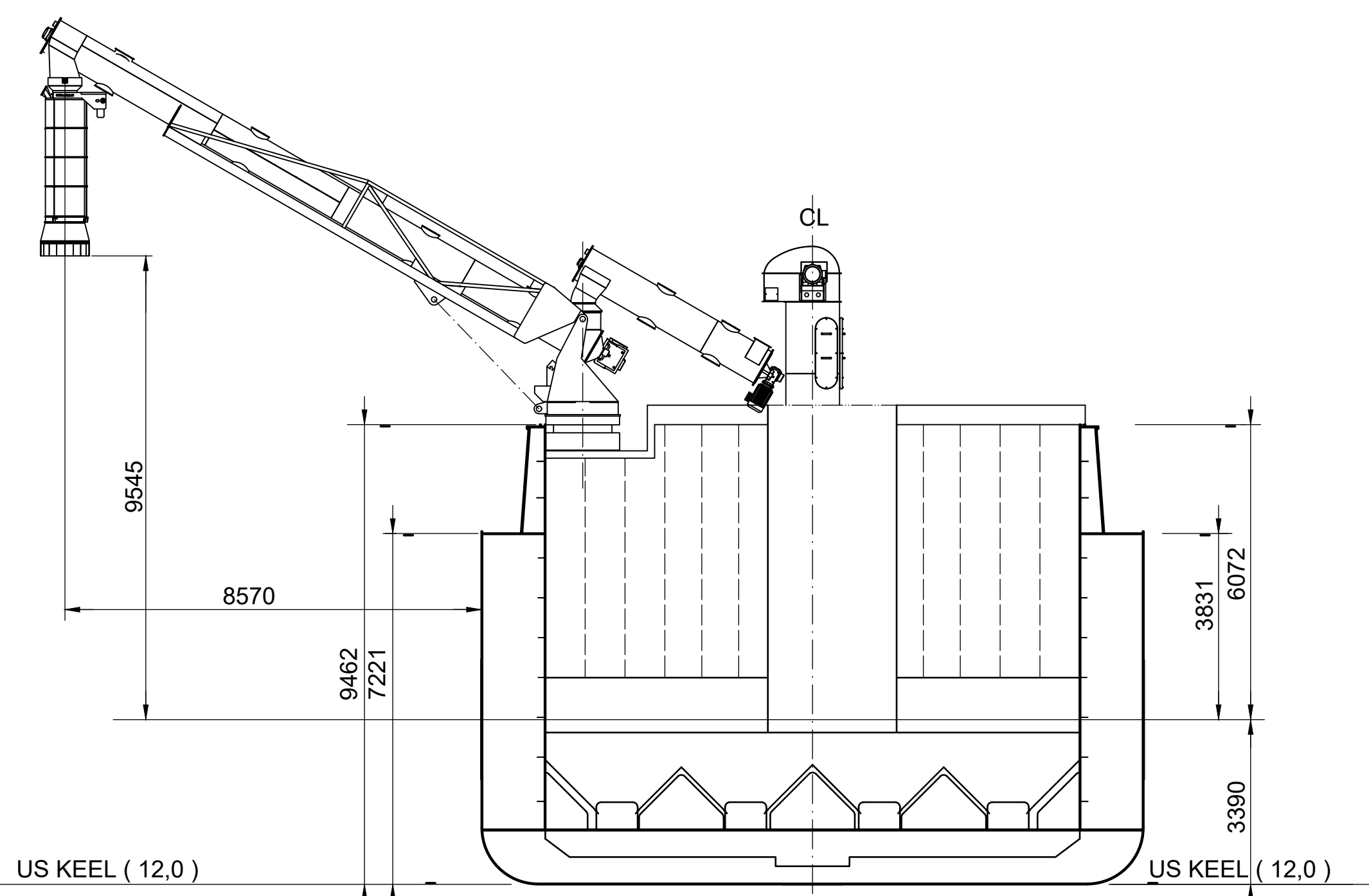
MAIN DECK



LOADED
AT PLIMSOLL MARK
SEEN FROM AFT



BULKHEADS #30 & #96
SEEN FROM AFT



BALLAST
AT PLIMSOLL MARK
SEEN FROM AFT

EDITION	DESCRIPTION:	DATE:	SIGN:
D	ELEVATOR STRUCTURE CORRECTED	2023-04-27	J.J.
C	MIDSHIP BULKHEAD REVISED	2022-09-17	J.J.
B	TANKTOP EQUIPMENT ADDED	2021-06-24	J.J.
A	PRELIMINARY	2021-03-28	J.J.



YARD:	DATE: 210328	CHECKED:	SCALE: A1 = 1:100 A3 = 1:200
	DRAWN: J.J.		
TITLE: M/S "LISTER" CARGO HOLD DIMENSIONS			
DWG. NO. 2104-1-320	ISSUE: D		